

7.8 系列

7.8 Series

技术参数 Specifications

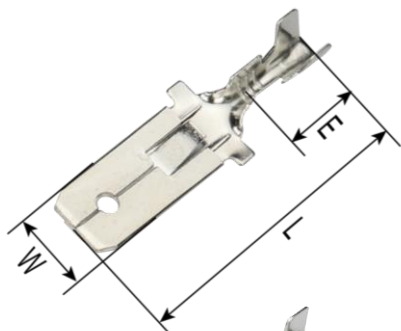
使用线数(Hole count): 1 2 3

温度范围 (Temperature range): -25℃~85℃

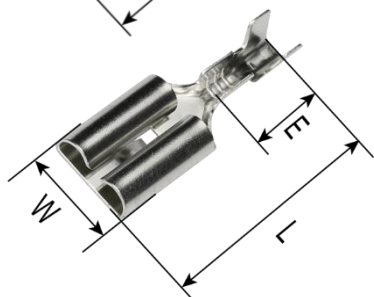
额定电压 (Rated voltage): 300V. AC/DC

额定电流 (Rated current): 25A~30A

A



B

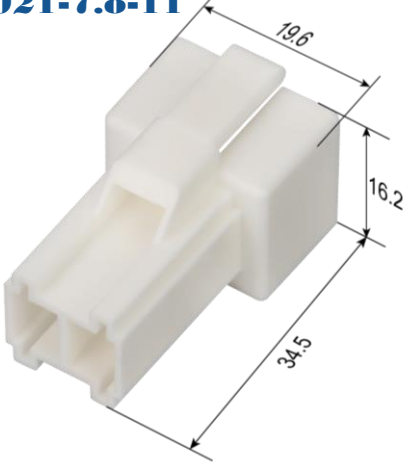
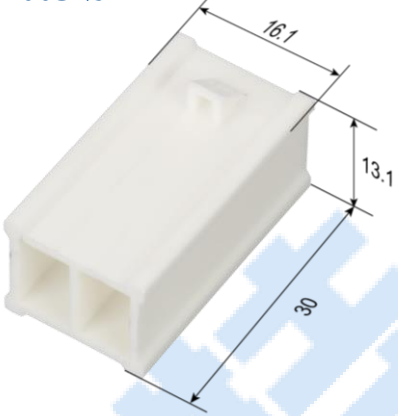
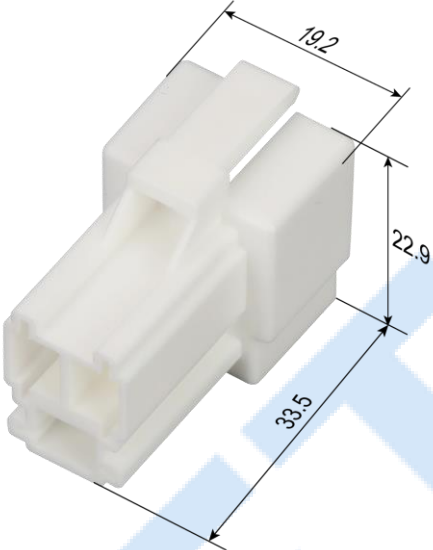
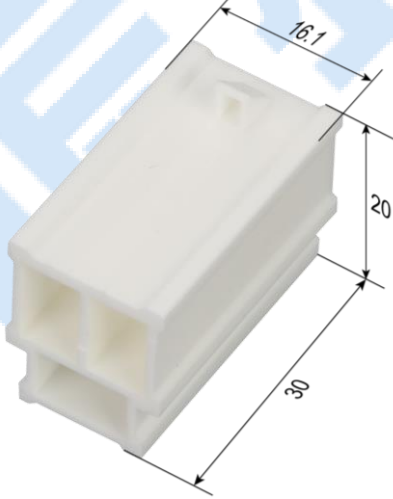


端子 Terminal

型号 Type	图号 Pic	压线范围 Wire Range		厚度 Thickness	材质 Material	尺寸 Dimension (mm)			对照表 Comparison No.	备注 Remark
		AWG#	mm ²			L	W	E		
DJ611-7.8A-B	A	17~14	0.9~1.8	0.4	黄铜	30.2	7.8	9.5	插头	
DJ611-7.8A-C		13~12	2.5~3.5	0.4	黄铜	30.2	7.8	9.5	插头	
DJ621-E7.8A-B	B	17~14	0.9~1.8	0.4	黄铜	24.5	9.0	9.3	插座	
DJ621-E7.8A-C		13~12	2.5~3.5	0.4	黄铜	24.5	9.0	9.3	插座	

塑料件 Plastic parts

线数 Hole count	插头 Plug for female terminal	插座 Receptacle for male terminal
1	<p>DJ7014-7.8-11</p>	<p>DJ7014-7.8-21</p>

2	<p>DJ7021-7.8-11</p>  <p>Dimensions: 19.6, 16.2, 34.5</p>	<p>DJ7021-7.8-21</p>  <p>Dimensions: 16.1, 13.1, 30</p>
3	<p>DJ7031-7.8-11</p>  <p>Dimensions: 19.2, 22.9, 33.5</p>	<p>DJ7031-7.8-21</p>  <p>Dimensions: 16.1, 20, 30</p>