

7.8 系列

7.8 Series

技术参数 Specifications

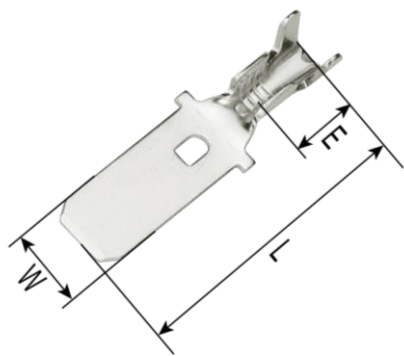
使用线数(Hole count): 1 2 3

温度范围 (Temperature range): -25℃~85℃

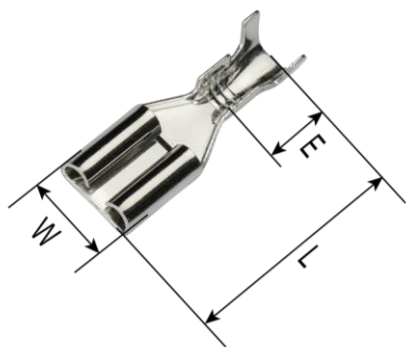
额定电压 (Rated voltage): 300V. AC/DC

额定电流 (Rated current): 25A~30A

A



B



端子 Terminal

型号 Type	图号 Pic	压线范围 Wire Range		厚度 Thickness	材质 Material	尺寸 Dimension (mm)			对照表 Comparison No.	备注 Remark
		AWG#	mm ²			L	W	E		
DJ615-7.8B-C	A	14~12	2.0~3.0	0.8	黄铜	31.5	7.85	9.8	插头	
DJ625-7.8B-C	B	14~12	2.0~3.0	0.4	磷铜	24.5	9.0	9.0	插座	

塑料件 Plastic parts

线数 Hole count	插头 Plug for female terminal	插座 Receptacle for male terminal
1	<p>DJ7013-7.8-11</p>	<p>DJ7013-7.8-21</p>

2	<p>DJ7022Y-7.8-11</p> <p>27.5 45.1 11.7</p>	<p>DJ7022Y-7.8-21</p> <p>24.7 36.7 11.7</p>
3	<p>DJ7033Y-7.8-11</p> <p>27.7 44.7 25.4</p>	<p>DJ7033Y-7.8-21</p> <p>24.7 41.5 27.6</p>