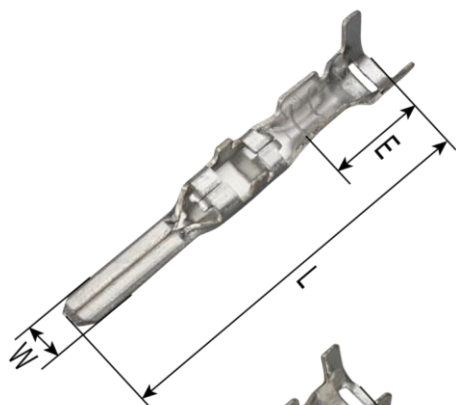


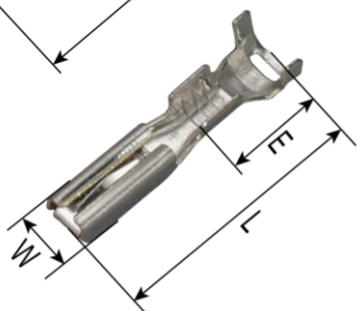
2.2 系列(铜件配套)

2.2 Series

A



B



技术参数 Specifications

使用线数(Hole count): 2 3 4 6

温度范围 (Temperature range): -25℃~85℃

额定电压 (Rated voltage): 300V. AC/DC

额定电流 (Rated current): 5A

端子 Terminal

型号 Type	图号 Pic	压线范围 Wire Range		厚度 Thickness	材质 Material	尺寸 Dimension (mm)			对照表 Comparison No.	备注 Remark
		AWG#	mm ²			L	W	E		
ZT-2.2PT	A	18~16	0.7~1.2	0.3	黄铜	24	2.2	7.2	插头	
ZT-2.2RT	B	18~16	0.7~1.2	0.25	黄铜	16.5	3	7.2	插座	

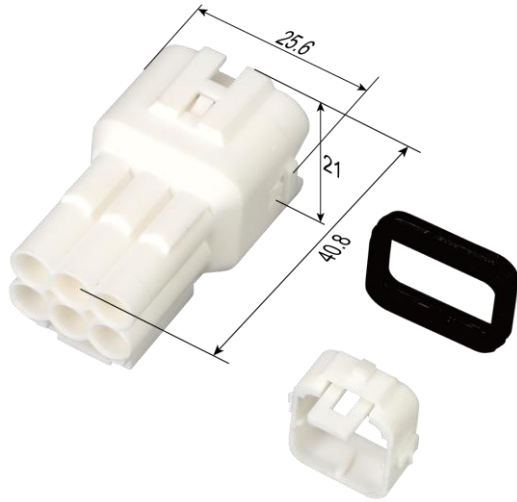
塑料件 Plastic parts

线数 Hole count	插头 Plug for female terminal	插座 Receptacle for male terminal
2	<p>DJ7021-2-11</p>	<p>DJ7021-2-21</p>

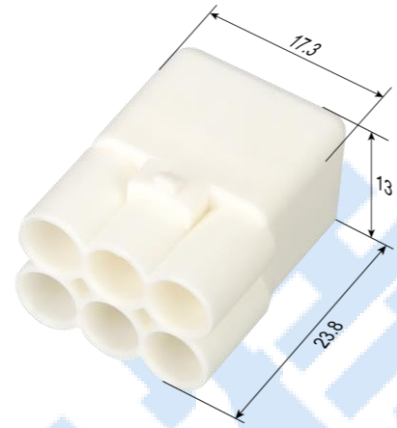
2	<p>DJ7021-2.2-11</p> <p>Exploded view of the connector DJ7021-2.2-11. It consists of a main white plastic housing with two ports, a smaller white plastic insert, and a black O-ring. Dimensions are indicated: 20 (width of the top part), 15.1 (height of the top part), and 40.8 (total length).</p>	<p>DJ7021-2.2-21</p> <p>View of the connector DJ7021-2.2-21. Dimensions are indicated: 11 (width), 7.2 (height), and 23.8 (length).</p>
3	<p>DJ7031-2.2-11</p> <p>Exploded view of the connector DJ7031-2.2-11. It consists of a main white plastic housing with two ports, a smaller white plastic insert, and a black O-ring. Dimensions are indicated: 26 (width of the top part), 15.2 (height of the top part), and 40.8 (total length).</p>	<p>DJ7031-2.2-21</p> <p>View of the connector DJ7031-2.2-21. Dimensions are indicated: 17.3 (width), 7.3 (height), and 23.8 (length).</p>
4	<p>DJ7041-2.2-11</p> <p>Exploded view of the connector DJ7041-2.2-11. It consists of a main white plastic housing with two ports, a smaller white plastic insert, and a black O-ring. Dimensions are indicated: 19.6 (width of the top part), 21.2 (height of the top part), and 40.8 (total length).</p>	<p>DJ7041-2.2-21</p> <p>View of the connector DJ7041-2.2-21. Dimensions are indicated: 11 (width), 13 (height), and 23.8 (length).</p>

6

DJ7061-2.2-11



DJ7061-2.2-21



ZEET 振特